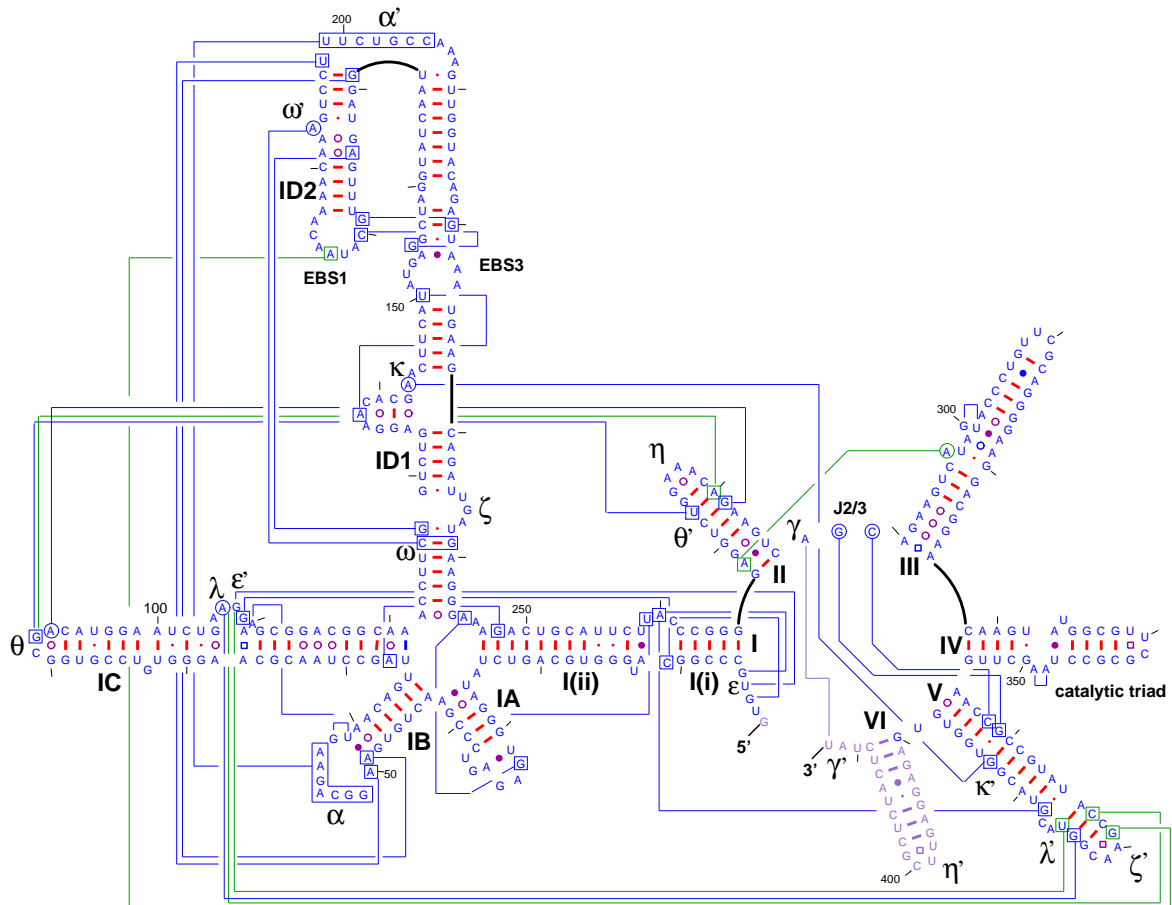


Secondary Structure: Group II Intron RNA

3BPW (3.10 Å): Toor, N. et al, Science 320, 77-82(2008)

3G78 (2.80 Å): Wang, J., Acta Cryst. D66, 988-1000(2010)



Oceanobacillus iheyensis HTE831

(BA000028) (PDB 3G78)

1. Bacteria 2. Firmicutes

3. Bacillales 4. Bacillaceae 5. Oceanobacillus

July 12, 2011